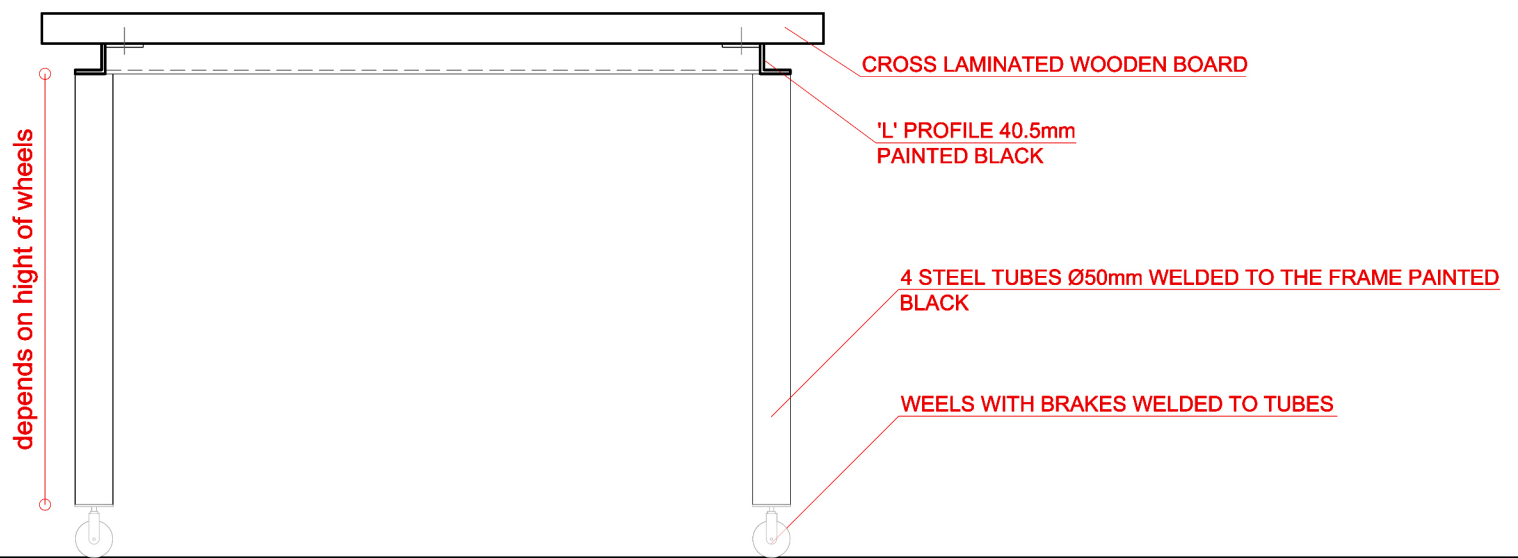
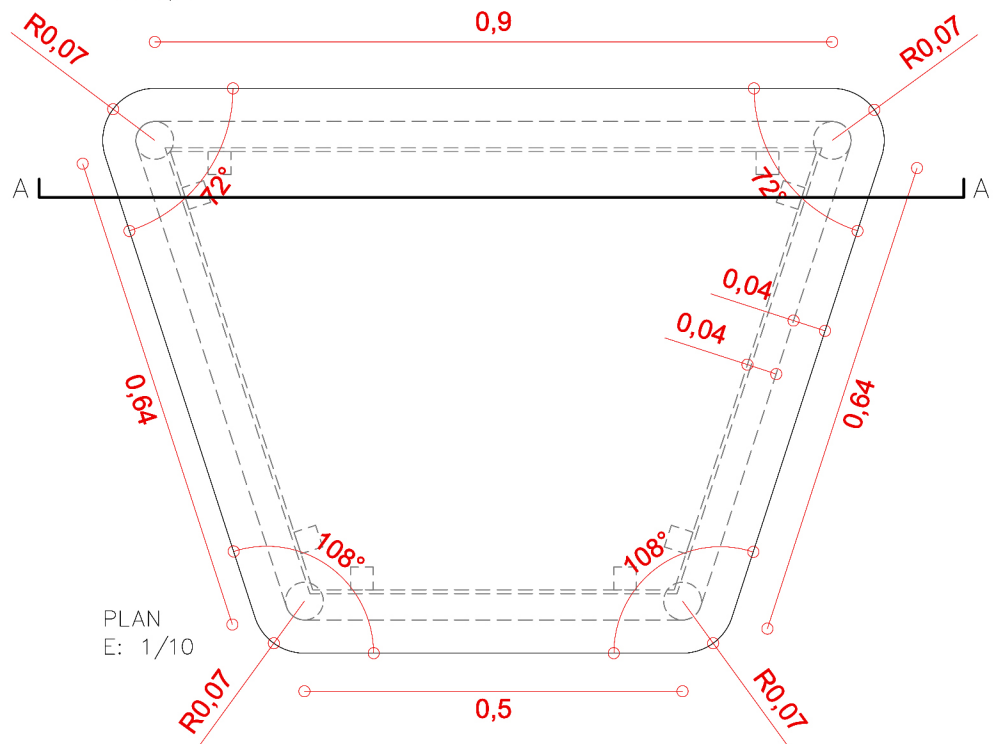


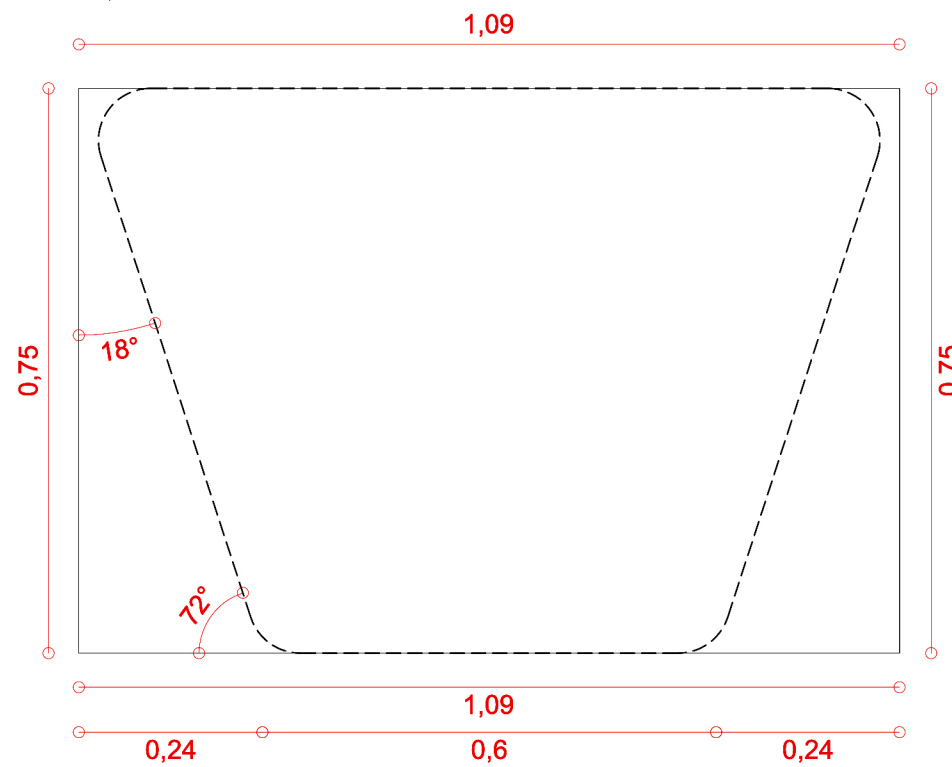
ELEVATION
E: 1/10



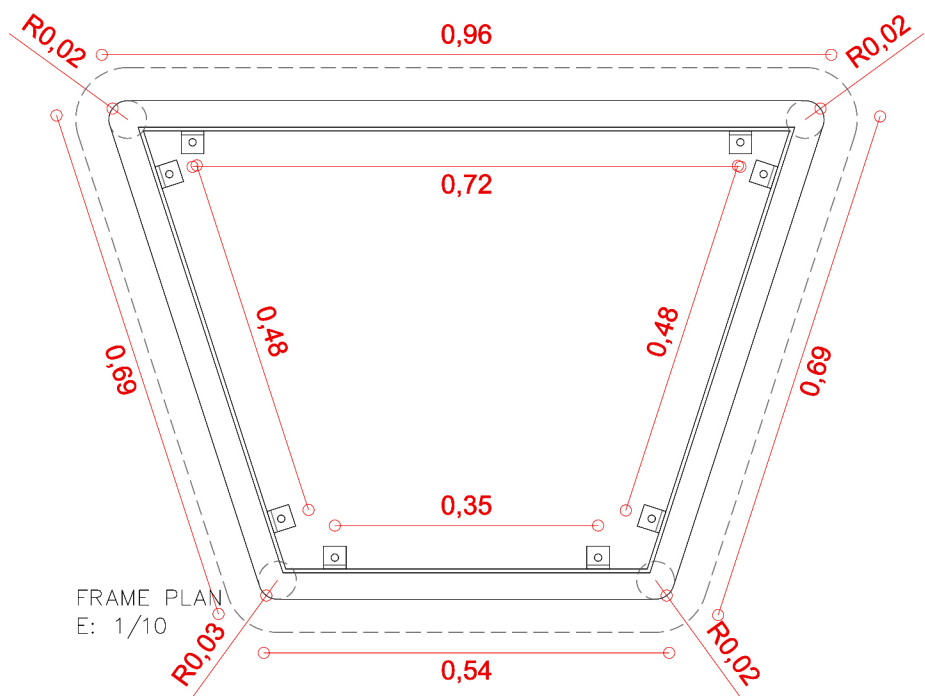
SECTION A-A
E: 1/10



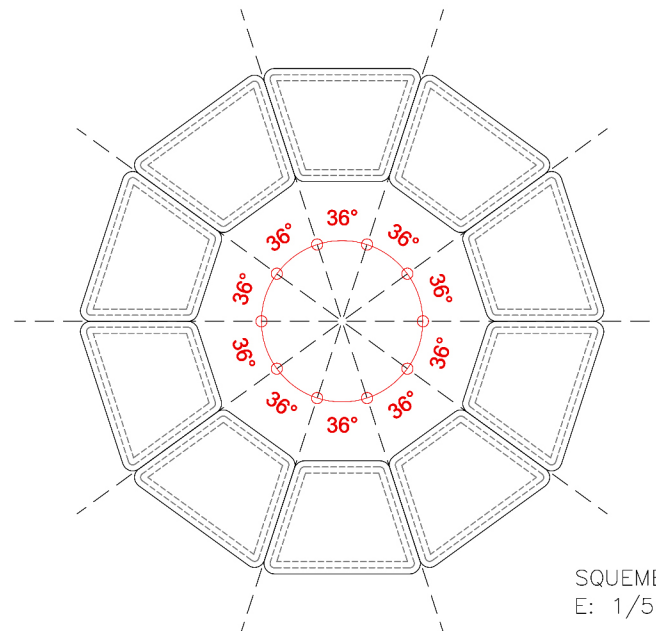
PLAN
E: 1/10



CROSS LAMINATED BOARD CUTOUT
E: 1/10



FRAME PLAN
E: 1/10



SQUEME OF 10 TABLES ASSEMBLED TOGETHER
E: 1/50